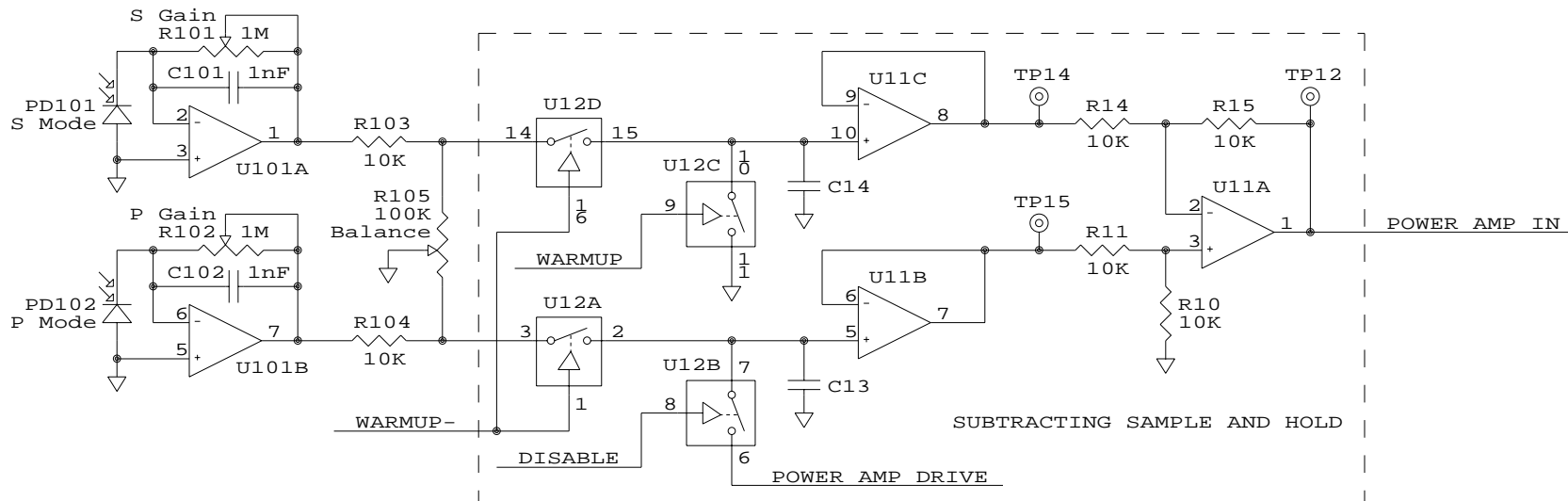


Original HP-5517 LCD/Mode Circuitry



Upgraded HP-5517 Mode Circuitry

Notes:

1. LCD and its photodiode replaced with polarizing beamsplitter and S and P photodiodes with preamps.
2. Part numbers 101 and above are added.
3. U101: TL082 or similar op-amp.
4. Power pins not shown.

Samuel M. Goldwasser		
sam@repairfaq.org		
Title		
Upgraded Electronics for HP-5517 Lasers		
Size	Document Number	REV
A	SG-HPL-1	1.0
Date:	March 12, 2009	Sheet 1 of 1