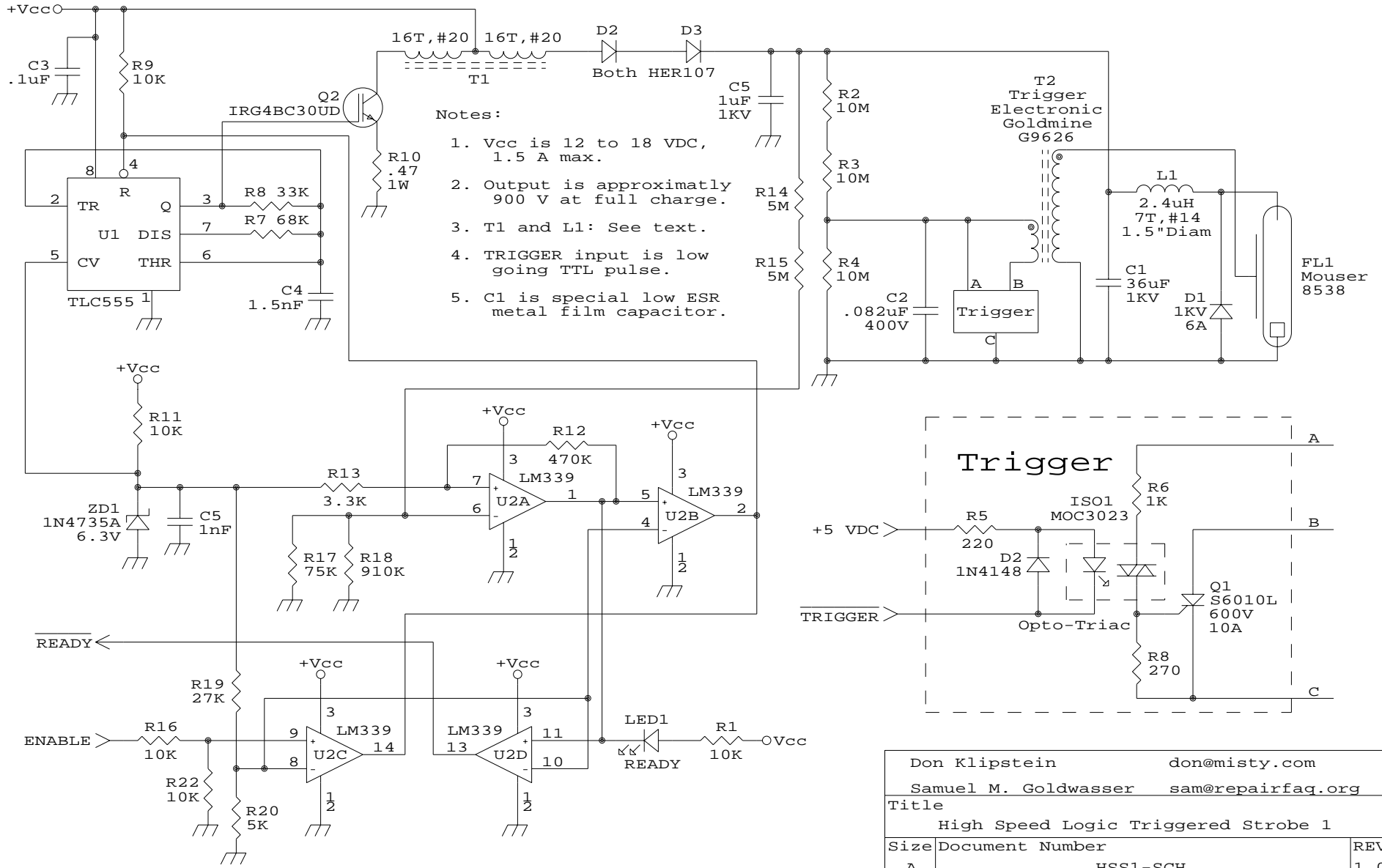


High Speed Logic Triggered Strobe 1



- Notes:
1. Vcc is 12 to 18 VDC, 1.5 A max.
 2. Output is approximately 900 V at full charge.
 3. T1 and L1: See text.
 4. TRIGGER input is low going TTL pulse.
 5. C1 is special low ESR metal film capacitor.

Don Klipstein		don@misty.com
Samuel M. Goldwasser		sam@repairfaq.org
Title		
High Speed Logic Triggered Strobe 1		
Size	Document Number	REV
A	HSS1-SCH	1.0
Date:	January 1, 2001	Sheet 1 of 1