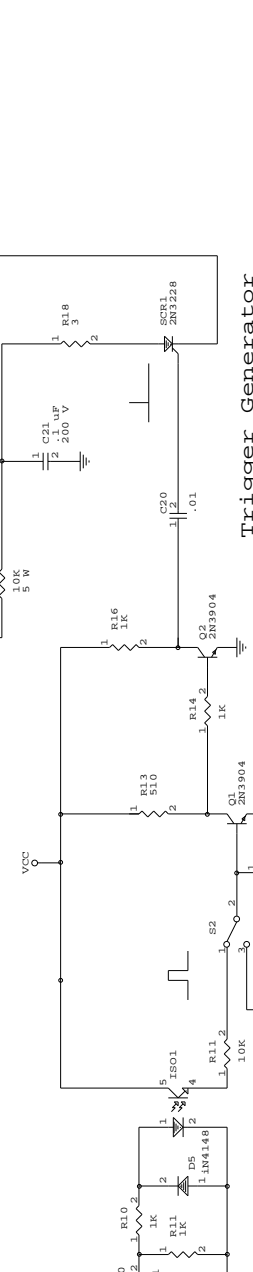
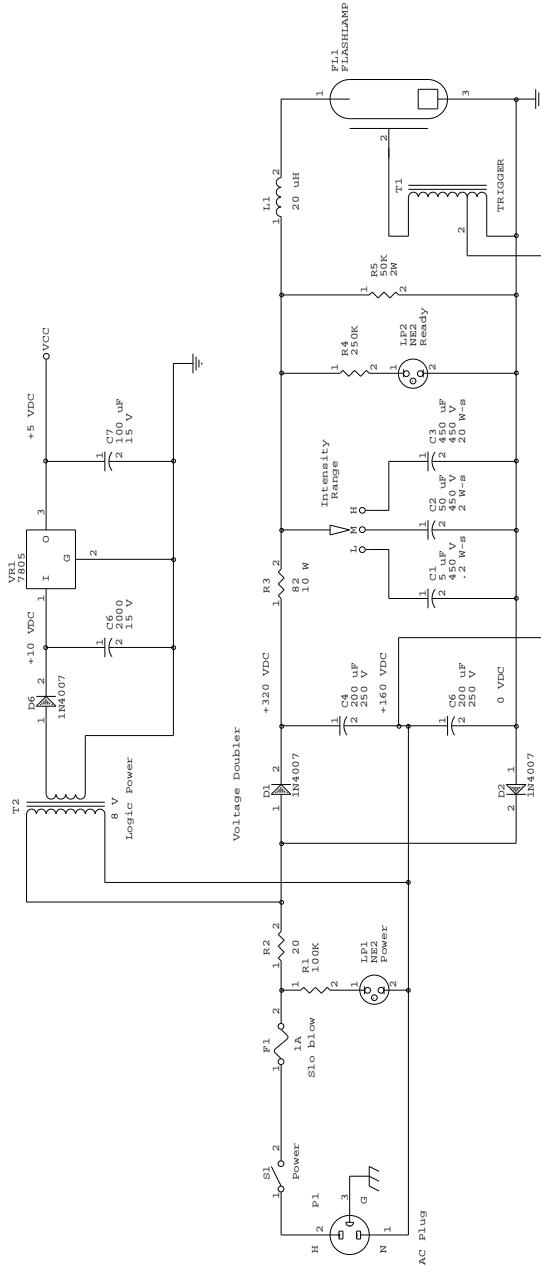


Low Voltage Supply



Internal Oscillator



Trigger Generator



Intensity
 Low (.2 W-s)
 Medium (2.0 W-s)
 High (20.0 W-s)

Speed
 .05 - 1.0 Hz (L,M,H)
 .5 - 10 Hz (L,M)
 5 - 100 Hz (L)
 External (L,M,H)

Warning: Circuit is Line Connected

Title	Variable Speed Strobe
Size	Document Number
REV	000
C	
Date	October 23, 1994
Sheet	1 of 1